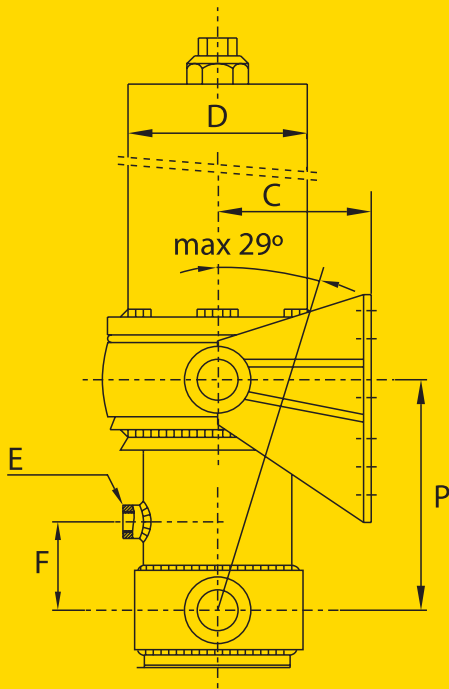
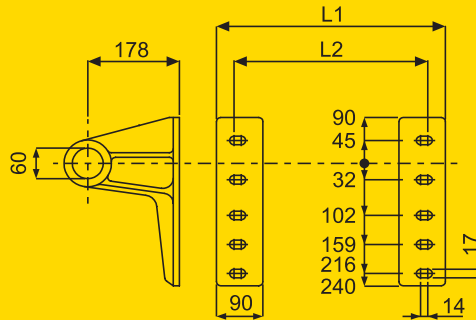


# FLASH HOIST FC SERIES

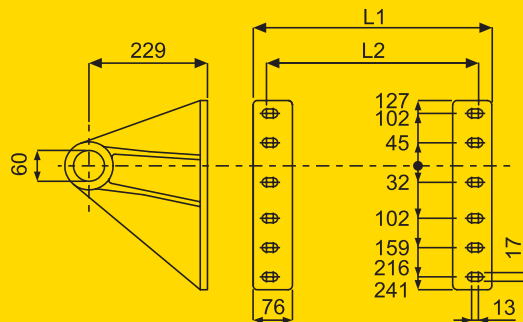


## BRACKETS



L1 = 305 L2 = 237

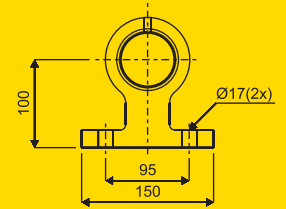
**FC 110 / 129**



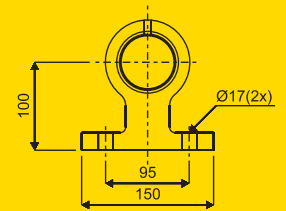
L1 = 462 L2 = 410

**FC 129 / 149 / 169 / 191**

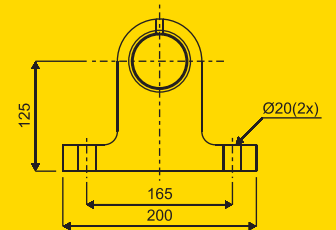
## FOOT MOUNT



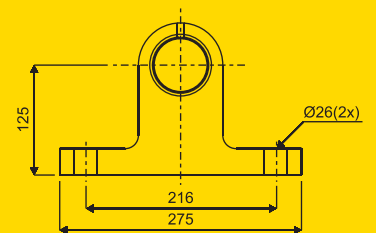
**FE 110**



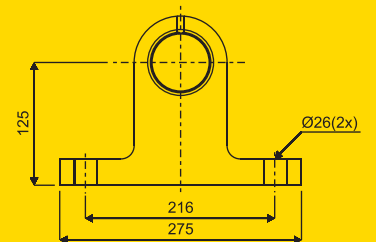
**FE 129 / 149**



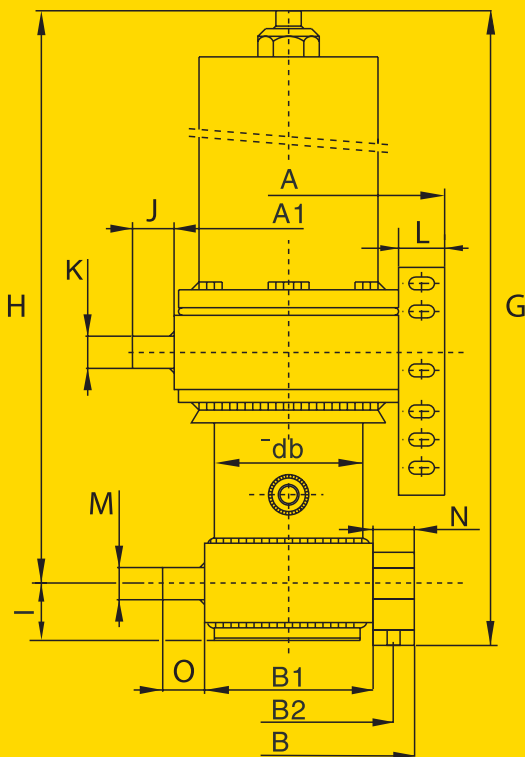
**FE 169 / 191**



**FE 191**



**FE 214**



HOIST MODEL	PART NUMBER	NO OF STAGES	STROKE mm	CAPACITY AT 150bar	WEIGHT INCL. FOOTMOUNTS & TEST OIL	TOTAL VOL. LITRES	CLOSED HT. G*mm
FC 110-3-3205	71503160	3	3205	20 T	138 Kg	24	1499
FC 129-3-3460	71504180	3	3460	28 T	208 Kg	37	1927
FC 129-3-3880	71504220	3	3880	28 T	225 Kg	42	1734
FC 149-4-5180	71505404	4	5180	35 T	280 Kg	66	1734
FC 169-4-6500	71506540	4	6500	40 T	386 Kg	110	2124
FC 169-5-7130	71506580	5	7130	35 T	371 Kg	107	1884

\* G closed height is including 20mm pull out

Hyva Altatec is not responsible for incorrect results obtained with figures in this document. Information is for reference only. For detailed information and for specific tipping capacities against known operating conditions contact Hyva Altatec.