

# 551

MODELLI MODELS	MOMENTO LIFTING MOMENT	SBRACCIO ORIZ. HORIZ. HYDRAULIC OUTREACH	PORTATA AL DISTRIBUTORE OIL FLOW TO THE CONTROL VALVE	SBRACCIO MAX. VERTICALE MAX VERTICAL REACH	PESO WEIGHT	PRESSIONE PRESSURE	INTERASSE STAB. STANDARD APERTI DISTANCE BETWEEN CENTRES WITH OPENED OUTRIGGERS	INTERASSE STAB. EXTRA APERTI EXTRA WIDE DISTANCE BETWEEN CENTRES WITH OPENED OUTRIGGERS	INTERASSE STAB. XXL APERTI XXL WIDE DISTANCE BETWEEN CENTRES WITH OPENED OUTRIGGERS
	Tm.	m.	l.min	m.	Kg	bar	mm.	mm.	mm.
551A1	4.65	4.87	16	7.82	640	265	3060	4080	4800
551A2	6.33	16	9.26	690	265	3060	4080	4080	4800
551A3	7.79	16	10.65	740	265	3060	4080	4080	4800
551A4	9.25	16	12.6	780	265	3060	4080	4080	4800

Autocarro consigliato - Recommended truck - Camion conseillé - Camion aconsejado  
M.T.T. ton 7 - G.V.W. ton 7

**STANDARD**

 370°  
Angolo di rotazione  
Slewing angle

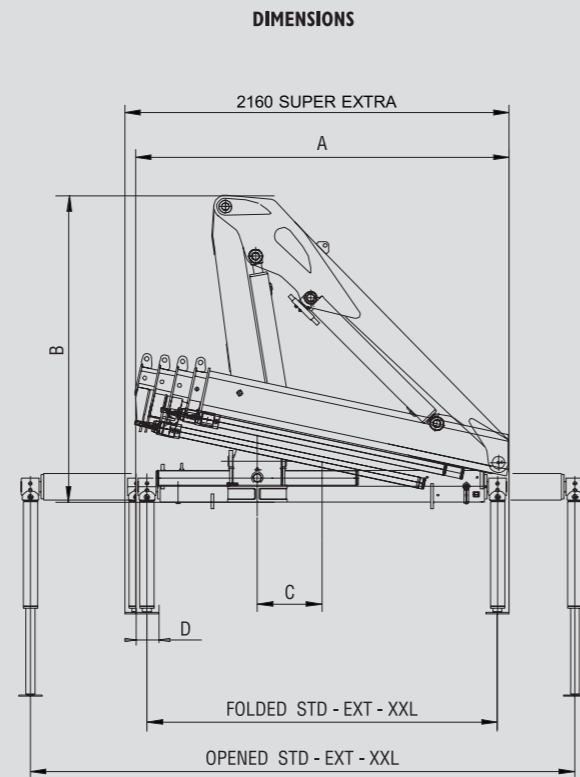
 135  
Serbatoio olio  
Oil Tank

**STANDARD CE**

  
Limitatore di momento  
Overload device

Model	Height (m)	Weight (Kg)	2.20*	3.51	4.87	6.33
551A1	2.20	640	2000	1320	950	670
551A2	2.20	690	1930	1230	880	690
551A3	2.20	740	1870	1150	810	620
551A4	2.20	780	1800	1060	740	570

\*) Portata al gancio fisso  
Fixed hook capacity



551	FOLDED			OPENED		
	A	B	C	STD	EXT	XXL
551A1	2100	1730	364	1970	2100	2160
551A2	2100	1730	364	1970	2100	2160
551A3	2100	1730	364	1970	2100	2160
551A4	2100	1730	364	1970	2100	2160

SPAZIO RICHIESTO PER L'INSTALLAZIONE  
NECESSARY SPACE FOR INSTALLATION

551	con attivazioni With extra function			STD			EXT			XXL		
	STD	EXT	XXL	STD	EXT	XXL	STD	EXT	XXL	STD	EXT	XXL
551A1	560	560	560	650	650	650	650	650	650	650	650	650
551A2	560	560	560	650	650	650	650	650	650	650	650	650
551A3	560	560	560	650	650	650	650	650	650	650	650	650
551A4	560	560	560	650	650	650	650	650	650	650	650	650



F.lli FERRARI CORPORATION S.p.A.  
Via Pasubio, 3  
42022 Boretto (RE) Italy  
Tel. +39 0522/486311  
Fax +39 0522/486330  
E-mail: marketing@flliferrari.it  
www.flliferrari.com

COMPANY  
WITH QUALITY MANAGEMENT  
SYSTEM CERTIFIED BY DNV  
= ISO 9001/2000 =

M.K.T.5800200 04/07 3000



  
551

# 551



F.LLI FERRARI CORPORATION S.p.A.

# FERRARI 551



I

La gru F.Ili Ferrari mod. 551 racchiude in se caratteristiche tecniche e meccaniche di elevata qualità

- Acciai ad alto limite di snervamento
- Basamento e pignone colonna in fusione
- Struttura interamente sabbiata
- Bracci esagonali
- Sbracci fino a 9,25 m (10,71 con prolunga meccanica)
- Valvole di sicurezza flangiata
- Comandi bilaterali
- Limitatore di momento (CE)
- Pattini di scorrimento con gioco autoregistrabile
- Boccole autolubrificanti
- Raccorderia SAE J 1514I
- Gancio girevole
- Kit di montaggio compreso

**Accessori**

- Prolunghe meccaniche
- Stabilizzatori extraestendibili (4.080)
- Stabilizzatori superextraestendibili (4.800)
- Traverse supplementari
- Comandi supplementari attivati
- Verricello idraulico
- Comando a distanza
- Utilizzo con attrezzo
- Dispositivo di controllo RLC
- Stabilizzatori rotanti



GB

The crane model 551 from F.Ili Ferrari has been projected and manufactured with high quality technical and mechanical characteristics

- Steel at high yield point
- Basement and column pinion by melding made
- Structure fully sandblasted
- Hexagonal booms
- Hydraulic outreach until 9.25 mt (10.71 with mechanical boom)
- Flanged valves
- Bilateral controls
- Load limiting device (CE)
- Sliding pad with self-adjusting gap
- Self-tapping bushings
- SAE JIC 1514I fittings
- Turning hook
- Mounting kit included

**Accessories**

- Mechanical booms
- Extra wide outriggers (4.080)
- Super-extra wide outriggers (4.800)
- Extra beams
- Extra functions
- Hydraulic winch
- Remote control
- Use with special equipments
- Load radio control RLC
- Turning outriggers



F

LA grue modèle 551 F.Ili Ferrari est conçue avec des caractéristiques techniques et mécaniques de la plus haute qualité

- Acier à haut niveau de déformation plastique
- Embase et pignon colonne moulés
- Structure complètement sablée
- Rallonges hexagonales
- Portée Hydraulique jusqu'à 9.25 mt (10.71 mt avec rallonges mécaniques)
- Vannes bridées
- Commandes bilatérales
- Limiteur de moment (CE)
- Patins de coulissement auto enregistrables
- Douilles autolubrifiantes
- Raccords SAE-JIC 1514I
- Crochet tournant
- Kit de montage inclus

**Accessoires**

- Rallonges mécaniques
- Béquilles extra larges (4.080)
- Béquilles super extra larges (4.800)
- Poutres béquilles supplémentaires
- Circuits supplémentaires activées
- Treuil hydraulique
- Commande à distance
- Utilisation avec accessoires
- Dispositif radio de contrôle de la charge RLC
- Béquilles tournantes



D

Das Kranmodell 551 vom F.Ili Ferrari ist mit höchsten Qualität für technischen und mechanischen Eigenschaften projiziert und hergestellt worden

- Stahl mit hoher Fließgrenze
- Gusstücke: Sockel und Zahnrad der Säule
- Sechseckige Ausschube
- Sechswinklige Ausschübe
- Hydraulische Reichweiten bis 9.25 m (10.71 m mit mechanischen Ausschüben)
- Geflanschte Ventile
- Beidseitigen Kransteuerungen
- Momentbegrenzer (CE)
- Gleitschiene mit Selbststellbare Spiel
- Selbstschmierende Buchsen
- SAE-JIC 1514I Anschlüsse
- Schwenkbarer Haken
- Einsatzbau eingeschlossen

**Zubehöre**

- Mechanische Verlängerungen
- Extra-breite Abstützungen (4.080)
- Super Extra-breite Abstützungen (4.800)
- Zusatzabstützungen
- Zusatzfunktionen
- Hydraulische Winde
- Fernsteuerung
- Benutzung mit Zubehören
- Funkvorrichtung für Lastkontrolle RLC
- Drehbare Abstützbeine



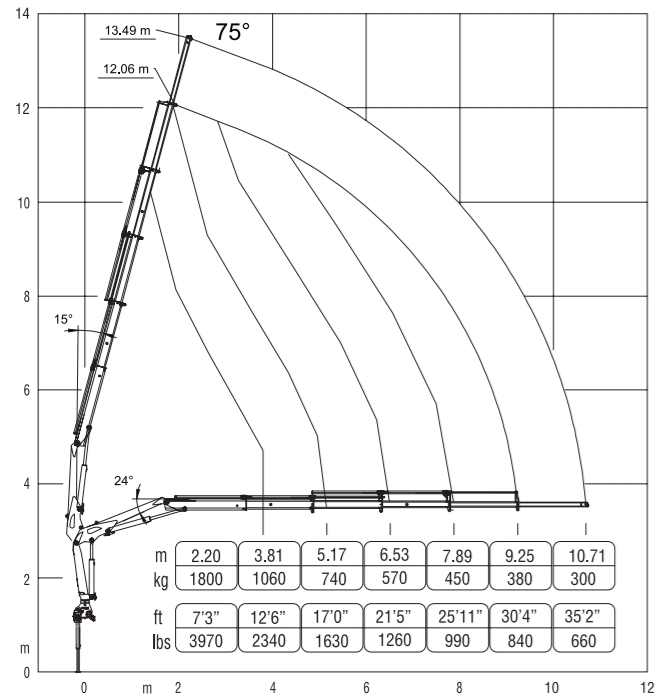
SP

El modelo de la grúa 551 de F.Ili Ferrari se ha proyectado y fabricado con características técnicas y mecánicas de alta calidad

- Acero en el alto borde de rendimiento
- Piñón de la columna y basamento moldeados
- Estructura completamente arenada
- Prolongas hexagonales
- Alcances hidraulicos hasta mt. 9.25 (10.71 mt con prolongas mecanicas)
- Valvulas rebordeadas
- Mandos bilaterales
- Limitador de momento (CE)
- Patin de deslizamiento con juego autoregurable
- Casquillos autolubrificantes
- Empalmes SAE-JIC 1514I
- Gancho giratorio
- Kit de montaje incluido

**Accesorios**

- Prolongas mecanicas
- Patas extra-largas (4.080)
- Patas super extra-largas (4.800)
- Patas adicionales
- Activaciones adicionales
- Cabrestante hidraulico
- Mando a distancia
- Utilización con accesorios
- Dispositivo de verificación de carga RLC
- Patas giratorias



Questo dispositivo visualizza su un display collocato in prossimità dei comandi il carico applicato al gancio della gru, rendendo l'utilizzo delle prolunghe meccaniche sicuro secondo la normativa europea EN 12999.

This device shows the load at the hook on a display placed near the controls, making safe the use of the mechanical extensions following the European rule EN 12999.

