

# 990R FERRARI

MODELLI MODELS	MOMENTO LIFTING MOMENT	SBRACCIO ORIZ. HORIZ. HYDRAULIC OUTREACH	PORTATA AL DISTRIBUTORE OIL FLOW TO THE CONTROL VALVE	SBRACCIO MAX. VERTICALE MAX VERTICAL REACH	PESO WEIGHT	PRESSIONE PRESSURE	INTERASSE STAB. EXTRA APERTI EXTRA WIDE DISTANCE BETWEEN CENTRES WITH OPENED OUTRIGGERS
	Tm.	m.	I.min	m.	Kg	bar	mm.
990 A2	74	7.65	80-100	12.2	7150	300	8770
990 A4		11.55	80-100	16.1	7800	300	8770
990 A6		15.7	80-100	20.2	8400	300	8770
990 A8		19.7	80-100	24.2	8900	300	8770
990 A10		24.25	80-100	28.9	9300	300	8770
990 A6J6		29.1	80-100	33.8	9900	300	8770

Autocarro consigliato - Recommended truck - Camion conseillé - Camion aconsejado  
M.T.T. ton 42 - G.V.W. ton 42

### STANDARD



Continua Endless  
Angolo di rotazione  
Slewing angle



Limitatore di momento  
Overload device

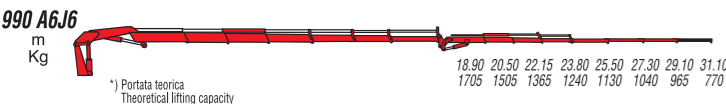
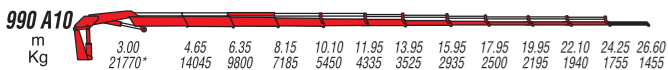
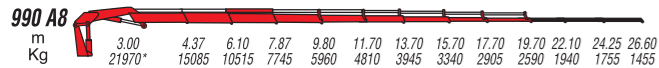
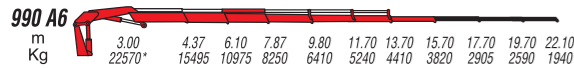
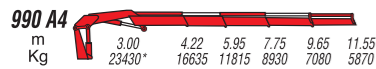
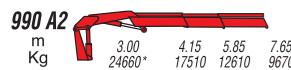


Radiocollino  
Remote control

### OPTIONAL

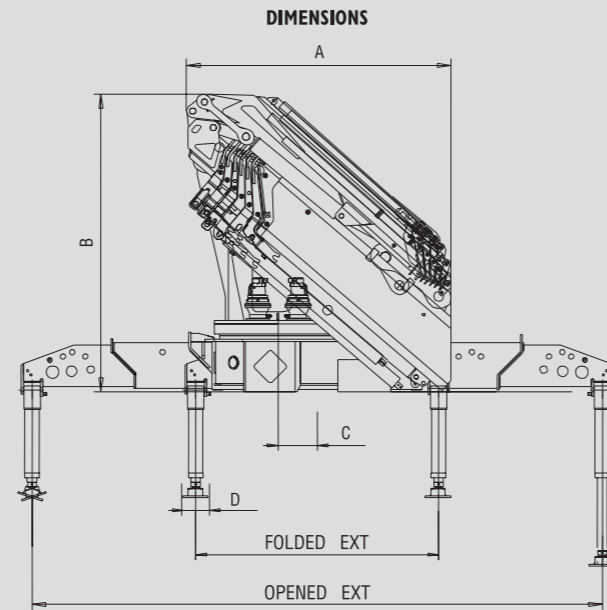


Serbatoio olio  
Oil Tank



Dati, descrizioni e illustrazioni sono indicativi e non impegnano F.lli Ferrari. Gru prodotte e/o commercializzate da F.lli Ferrari - Data, descriptions and illustrations are merely indicative and not binding. Cranes manufactured and/or marketed by F.lli Ferrari - Les données, descriptions et illustrations sont uniquement indicatives et n'engagent pas F.lli Ferrari. Grues produites et/ou vendues par F.lli Ferrari - Angaben, Beschreibungen und Abbildungen sind weisend und verpflichten nicht F.lli Ferrari. Die Kräne werden von F.lli Ferrari hergestellt und/oder vermarktet - Los datos, las descripciones y las ilustraciones son indicativos y no implican compromiso para F.lli Ferrari. Gruas producidas y/o comercializadas por F.lli Ferrari - Os dados as descrições e ilustrações são indicativos e não comprometem F.lli Ferrari. Guindaste produzidos e/ou comercializados pela F.lli Ferrari.

**COMPANY  
WITH QUALITY MANAGEMENT  
SYSTEM CERTIFIED BY DNV  
= ISO 9001/2000 =**



Mod.	FOLDED			OPENED		
	A	B	C	EXT	D	EXT
990 A2	2431	2450	370	2290	240	8770
990 A4	2431	2450	370	2290	240	8770
990 A6	2470	2450	370	2290	240	8770
990 A8	2500	2505	370	2290	240	8770
990 A10	2510	2635	370	2290	240	8770
990 A6J6	2500	2800	370	2290	240	8770

### SPAZIO RICHIESTO PER L'INSTALLAZIONE NECESSARY SPACE FOR INSTALLATION

990	Con attivazioni - With extra function	
990 A2	1610	1900
990 A4	1610	1900
990 A6	1770	1900
990 A8	1800	1900
990 A10	1800	Non attivabili Non activated
990 A6J6	1900	Non attivabili Non activated

## FERRARI

F.lli FERRARI CORPORATION S.p.A.

Via Pasubio, 3

42022 Boretto (RE) Italy

Tel. +39 0522/486311

Fax +39 0522/486330

E-mail: marketing@flliferrari.it

www.flliferrari.com

M.K.T. 5800168 4/07 3000



## FERRARI 990R



# 990R

RED POWER

## FERRARI

F.LLI FERRARI CORPORATION S.p.A.

# Ferrari 990R



I

La gru F.Ili Ferrari mod. 990R racchiude in se caratteristiche tecniche e meccaniche di elevata qualità

- Rotazione continua
- Acciai ad alto limite di snervamento
- Struttura interamente sabbiata
- Bracci esagonali
- Sbracci fino a 24,25 m (29.1 m con jib)
- Valvole di sicurezza flangiate
- Valvola rigenerativa sugli sfilii idraulici
- 2 motoriduttori
- Limitatore di momento
- Radiocomando
- Distributore proporzionale compensato Danfoss PVG 32
- ECM Electronic Crane Manager + Power Boost
- Filtro in pressione
- Stabilizzatori con apertura idraulica
- Stabilizzatori girevoli automatici
- Boccole autolubrificanti
- Raccorderia SAE JIC
- Gancio girevole
- Kit di montaggio compreso
- Red Power

**Accessori**

- Prolunghe meccaniche
- Comandi supplementari attivati\*
- Traversa supplementare
- Dispositivo di controllo RLC
- Verricello idraulico
- Serbatoio
- 3° motoriduttore
- Utilizzo con attrezzo\*
- Scambiatore di calore
- Basamento integrale\*\*

\*) No A10 - A6J6 \*\*) 300Kg

GB

The crane model 990R from F.Ili Ferrari has been projected and manufactured with high quality technical and mechanical characteristics

- Endless rotation
- Steel with high yield strength
- Fully sandblasted structure
- Exagonal booms
- Hydraulic outreach until 24.25 m (29.1 with jib)
- Flanged safety valves
- Regenerating valve on hydraulic extensions
- 2 gearmotors
- Load limiting device
- Remote control
- Proportional control valve Danfoss PVG 32
- ECM Electronic Crane Manager + Power Boost
- Filter in pressure
- Stabilizers with hydraulic extension
- Automatic and tilttable stabilizers
- Self-tapping bushings
- SAE JIC fittings
- Turning hook
- Mounting kit included
- Red Power

**Accessories**

- Mechanical extensions
- Extra functions\*
- Extra cross beam
- Load ratio checking device RLC
- Hydraulic winch
- Oil tank
- 3rd Gearmotor
- Use with special equipments\*
- Oil cooler
- Integrated basement\*\*

F

La grue modèle 990R F.Ili Ferrari est conçue avec des caractéristiques techniques et mécaniques de la plus haute qualité

- Rotation sans fin
- Acier avec haut niveau de déformation plastique
- Structure complètement sablée
- Extensions hexagonales
- Portée hydraulique jusqu'à 24.25 m (29.1 avec jib)
- Soupapes de sûreté bridées
- Soupape régénération huile sur extensions hydrauliques
- 2 motoréducteurs
- Limiteur de moment
- Commande à distance
- Distributeur proportionnel Danfoss PVG 32
- ECM Electronic Crane Manager + Power Boost
- Filtre en pression
- Béquilles avec extension hydraulique
- Béquilles tournantes automatiques
- Douilles autolubrifiantes
- Raccords SAE JIC
- Crochet tournant
- Kit de montage inclus
- Red Power

**Accessoires**

- Rallonges mécaniques
- Circuits supplémentaires activées\*
- Béquilles supplémentaires
- Dispositif de contrôle de la charge RLC
- Treuil hydraulique
- Réservoir pour huile
- Troisième motoréducteur
- Utilisation avec accessoires\*
- Refroidisseur huile
- Embase intégral\*\*

D

Das Kranmodell 990R ist mit höchster Qualität für techniscen un mechanischen Eigenschaften von F.Ili Ferrari entworfen und hergestellt worden

- Endlose Rotation
- Stahl mit hoher Fließgrenze
- Sandstrahlen der Struktur
- Sechswinklige Ausschübe
- Hydraulische Reichweite bis 24.25 m (29.1 mit Jib)
- Geflanschte Sicherheitsventile
- Regenerationsventil auf den Ausschüben
- 2 Getriebemotoren
- Momentbegrenzer
- Funksteuerung
- Proportionale Steuerventil Danfoss PVG 32
- ECM Electronic Crane Manager + Power Boost
- Druckfilter
- Abstützbeine mit hydraulischem Ausfahren
- Automatisch drehbare Abstützbeine
- Selbstschmierende Buchsen
- SAE JIC Anschlüsse
- Schwenkbarer Haken
- Einsatzbau eingeschlossen
- Red Power

**Zubehöre**

- Mechanische Verlängerungen
- Zusatzfunktionen\*
- Zusatzabstützungen
- Vorrichtung für Lastkontrolle RLC
- Hydraulische Seilwinde
- Ölbehälter
- Dritter Getriebemotor
- Benutzung mit Zubehören\*
- Ölkuhler
- Versenkter Sockel\*\*

SP

El modelo de la grúa 990R de F.Ili Ferrari se ha proyectado y fabricado con características técnicas y mecánicas de alta calidad

- Rotación continua
- Acero en alto borde de rendimiento
- Estructura completamente arenada
- Prolongas hexagonales
- Alcances hidraulicos hasta 24.25 m (29.1 con jib)
- Valvulas de seguridad ensanchadas
- Valvula de regeneracion sobre las prolongas
- 2 motorreductores
- Limitador de carga
- Mando a distancia
- Distribuidor proporcional Danfoss PVG 32
- Electronic Crane Manager + Power Boost
- Filtro en presión
- Patas con abiertura hidráulica
- Patas giratorias automaticas
- Casquillos autolubrificantes
- Empalmes SAE JIC
- Gancho giratorio
- Kit de montaje incluido
- Red Power

**Accesorios**

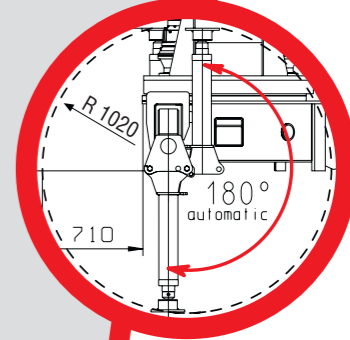
- Prolongas mecanicas
- Activaciones adicionales\*
- Patas adicionales
- Dispositivo de verificación de la carga RLC
- Cabrestante hidraulico
- Deposito de aceite
- Tercero motorreductor
- Utilización con accesorios\*
- Cambiador de calor
- Basamento integrado\*\*



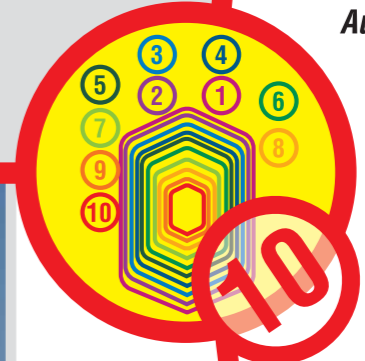
**CAN BUS**

The operator can control the crane with high precision proportional levers in every position and, doing so, can supervise the loading and unloading operations. That means a great time saving and a higher safety.

All the remote controls used by F.Ili FERRARI CORPORATION have an identification code and are shielded from electromagnetic fields and from external radio signals.



**Stabilizzatori rotanti automatici  
Auto-rotating stabilizer legs**



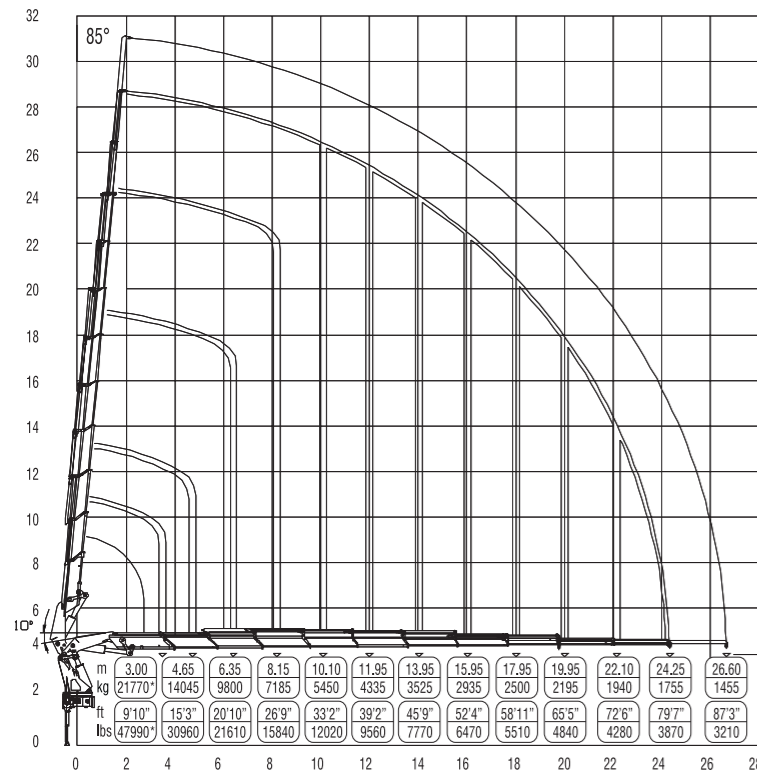
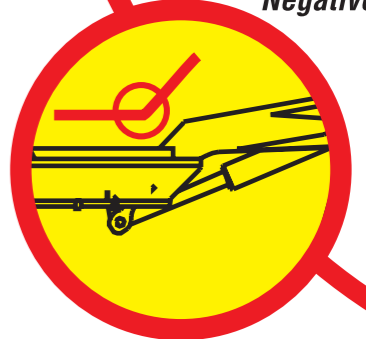
**10 sfilii idraulic  
10 hydraulic extensions**

**+33%**

Fino a 33% di coppia (rotazione) in più  
Up to 33% more rotation torque



**Angolo negativo  
Negative angle**



\*) Portata teorica  
Theoric lifting capacity



Questo dispositivo visualizza su un display collocato in prossimità dei comandi il carico applicato al gancio della gru, rendendo l'utilizzo delle prolunghe meccaniche sicuro secondo la normativa europea EN 12999.

This device shows the load at the hook on a display placed near the controls, making safe the use of the mechanical extensions following the European rule EN 12999.

