

# POWER PACK



1500W / 2.5 cc / 12V

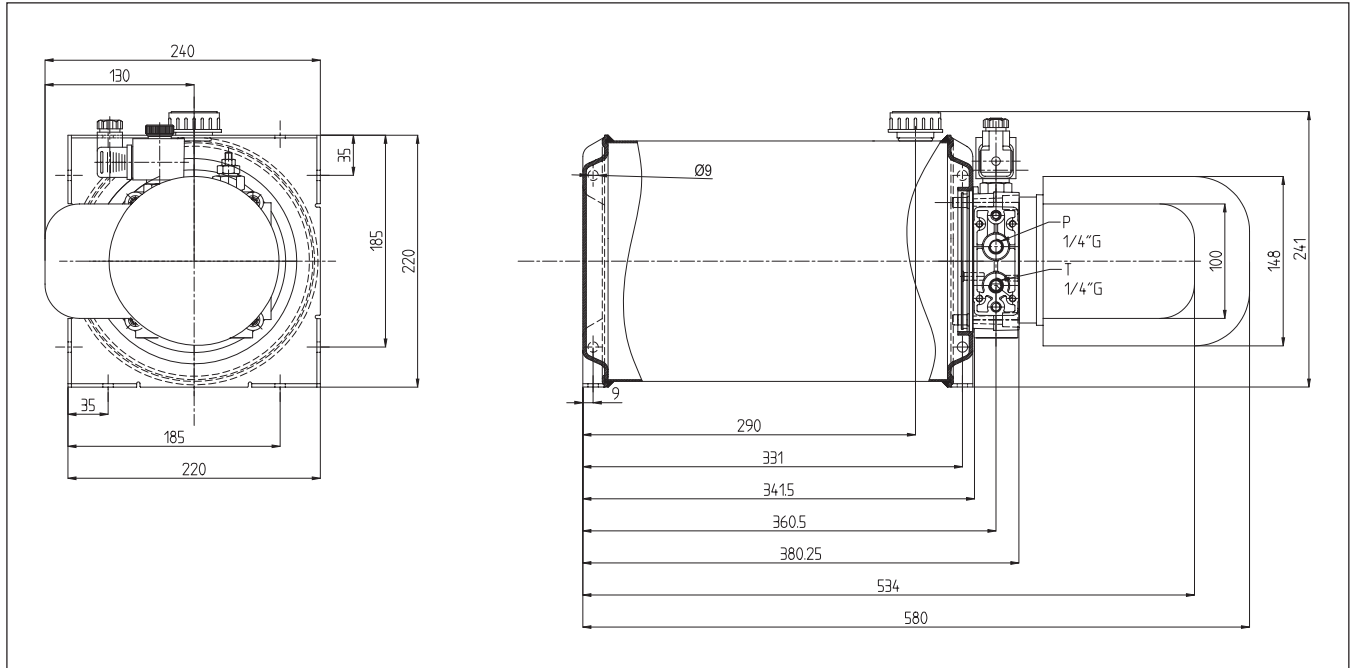
Hyva

type : power pack 1500W / 2.5cc / 12V

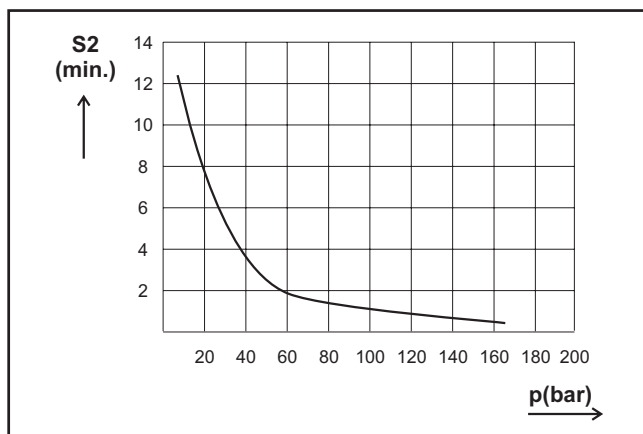
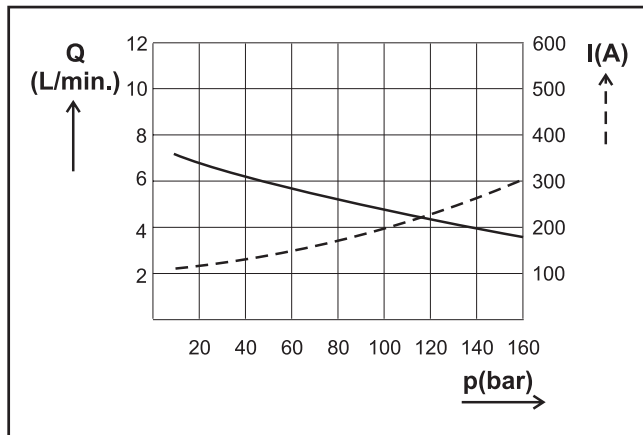
part number : 145 50 010 H

page # 1 / 1

tank volume : 10 L



## performance curves



## specifications

Voltage	:	12 V
Nominal power	:	1800 W
Pump size	:	2.5 cc/rev.
Hydraulic connection	:	1/4" B.S.P.
Pressure setting	:	160 bar (adjustable)
Usable tank volume	:	9.2 L
Weight	:	13 Kg
Viscosity range	:	12-100 cST (optimal 18-40 cSt)
Temperature range	:	-25 +80 °C

Power pack is equipped with start relay, solenoid operated lowering valve, check valve and adjustable pressure relief valve.

Axis labels mentioned in the performance curves

Oil pressure	:	p in bar
Pump flow	:	Q in L/min.
Electrical current	:	I in Amps
Cont. running time	:	S2 in min. with full cool down period

