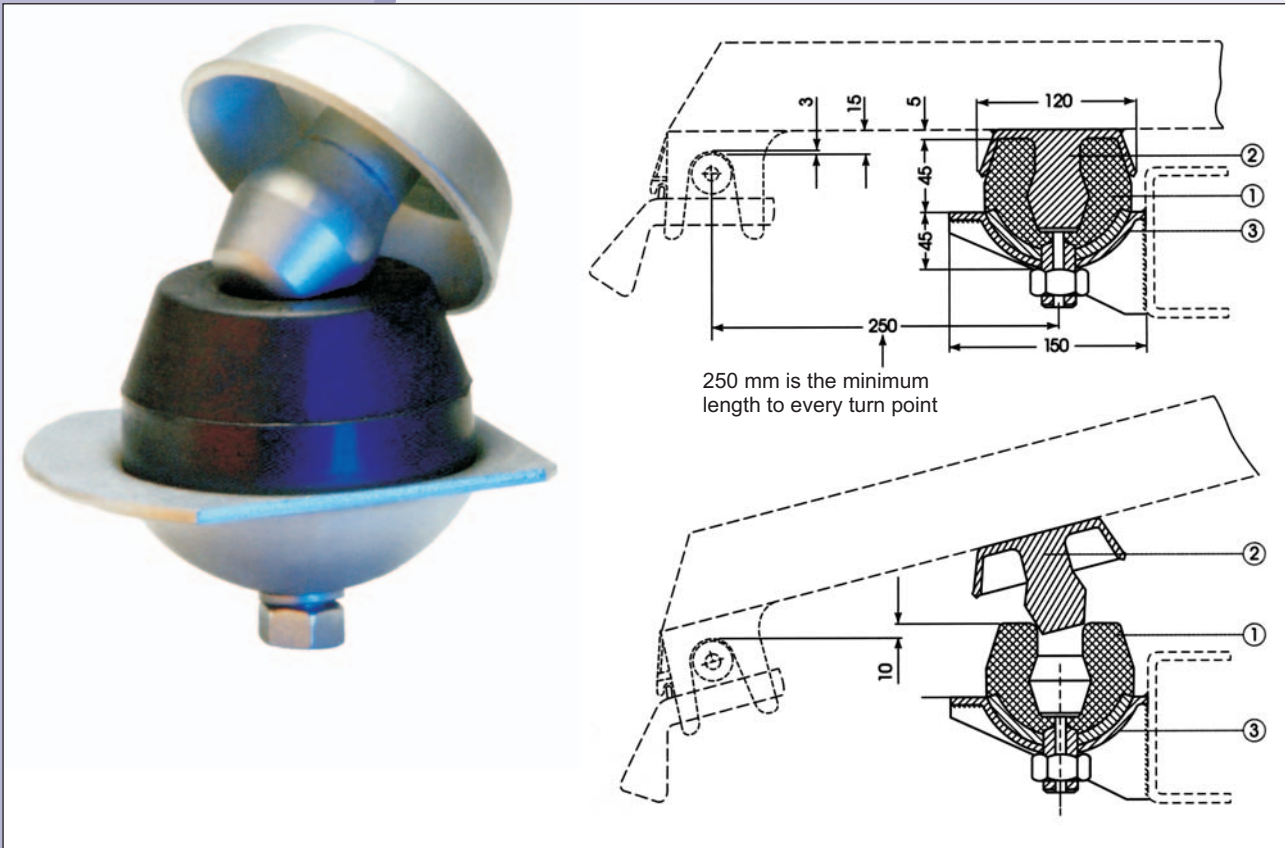


POLYP GRIPPING DEVICE SPECIFICATIONS



250 mm is the minimum length to every turn point

Suitable for:

- Two way tipping trailers
- Three way tipping trailers
- Tippers
- All kinds of reversing tippers

The application of the polyp gripping device enables elastic seating and support of the tipping bridge. At the same time the polyp gripping device serves also as a holding down equipment.

By installing the polyp gripping device, a jumping of the tip-bridge, while driving on bad road conditions, is entirely impossible.

Depending on the size of the vehicles, 2-4 polyp gripping devices are required.

The polyp gripping device consists of:

- Elastic gripping body with hollow screw
- Conical bearing shell with a pivot
- Lower shell for mounting at the vehicle frame

Polyp Gripping devices are long-proven and effective solutions against noise nuisance.

Hyva International B.V.

Ondernemingsweg 1
2404 HM Alphen aan den Rijn
The Netherlands
Tel: +31 (0)172 - 42 35 55
Fax: +31 (0)172 - 43 31 96
www.hyva.com info@hyva.com

PART NO.

Polyp Rubber Gripping device set	08101000
① Polyp Rubber	08101012
② Polyp Rubber-Pin Steel	08101036
③ Polyp Rubber-Cup	08101024

OPTIONAL

② Polyp Rubber-Pin Aluminium	08101037
------------------------------	----------